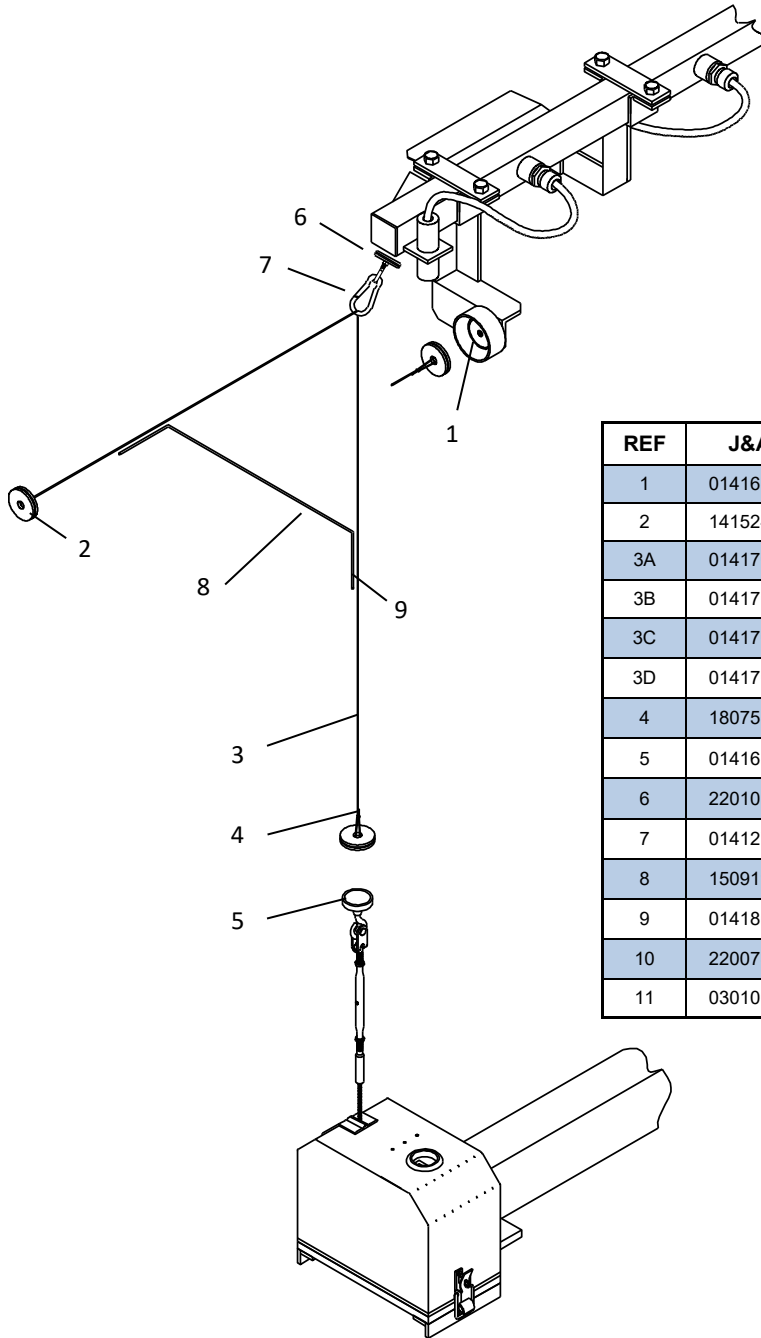
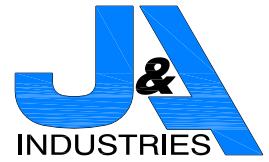


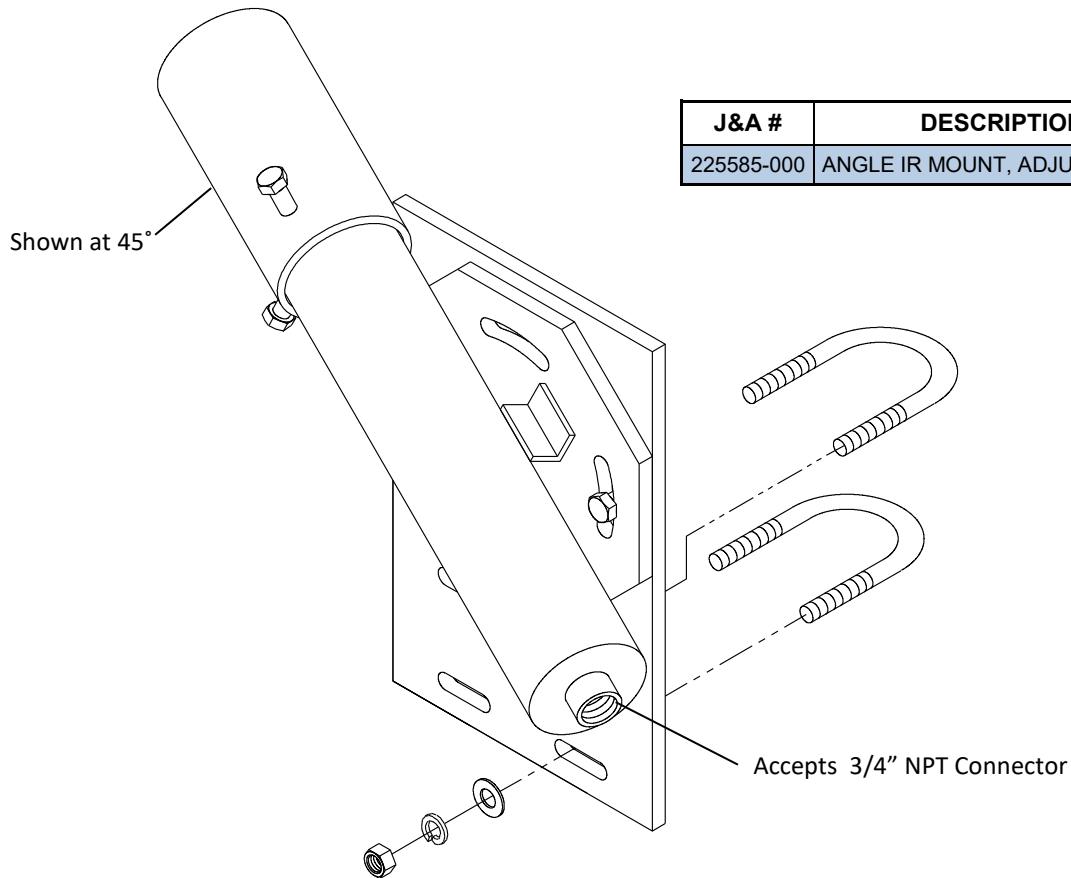
HIGH - WIDE DETECTOR



REF	J&A #	DESCRIPTION
1	014163-003	MAGNET, 1 3/4 DIA, 117 LBS, W/HOLE
2	141524-000	PUCK, CABLE END, SHIFTED LOAD DETECTOR
3A	014170-001	CABLE, COATED, 1/16-3/32 X 50 FT
3B	014170-002	CABLE, COATED, 1/16-3/32 X 60 FT
3C	014170-003	CABLE, COATED, 1/16-3/32 X 30 FT
3D	014170-004	CABLE, COATED, 1/16-3/32 X 75 FT
4	180758-000	KIT, CABLE ENDS, 1/16 (6 IN PACK)
5	014163-000	MAGNET, 1 3/4 DIA, 125 LBS, W/EYE
6	220103-000	PUCK, EYEBOLT, HIGH-WIDE
7	014127-000	SNAP, PEAR SHAPED, 5/16, SS
8	150919-000	ROD, ANGLE, HIGH-WIDE (CORNER PROTECTION)
9	014186-000	WIRE ROPE CLIP, 3/32"
10	220078-001	SLEEVED SENSOR, -40 DEG POTTED (TURCK)
11	030100-001	CIRCUIT BOARD, VPD SYSTEM

HIGH-WIDE DETECTOR

IR MOUNT & IR SENSORS



J&A #	DESCRIPTION
225585-000	ANGLE IR MOUNT, ADJUSTABLE

J&A #	DESCRIPTION
007226-000	IR SENSOR, EMMITER, BANNER, FREQ "A" 6.5' CABLE (AC/DC)
007226-001	IR SENSOR, EMMITER, BANNER, FREQ "B" 6.5' CABLE (AC/DC)
007226-002	IR SENSOR, EMMITER, BANNER, FREQ "C" 6.5' CABLE (AC/DC)
007226-010	IR SENSOR, EMMITER, BANNER, FREQ "A" 30' CABLE (AC/DC)
007226-011	IR SENSOR, EMMITER, BANNER, FREQ "B" 30' CABLE (AC/DC)
007226-012	IR SENSOR, EMMITER, BANNER, FREQ "C" 30' CABLE (AC/DC)
007227-000	IR SENSOR, RECEIVER, BANNER, FRQ "A" 6.5' CABLE (AC/DC)
007227-001	IR SENSOR, RECEIVER, BANNER, FRQ "B" 6.5' CABLE (AC/DC)
007227-002	IR SENSOR, RECEIVER, BANNER, FRQ "C" 6.5' CABLE (AC/DC)
007227-010	IR SENSOR, RECEIVER, BANNER, FRQ "A" 30' CABLE (AC/DC)
007227-011	IR SENSOR, RECEIVER, BANNER, FRQ "B" 30' CABLE (AC/DC)
007227-012	IR SENSOR, RECEIVER, BANNER, FRQ "C" 30' CABLE (AC/DC)
007228-000	IR SENSOR, EMMITER, BANNER, FRQ "A" 3 PIN QUICK DISCONNECT (AC/DC)
007229-000	IR SENSOR, RECEIVER, BANNER, FRQ "A" DC - 4 PIN QUICK DISCONNECT

- Can be mounted at 45° or Horizontal, with a 30° range of adjustment
- Kit includes U-bolts for mounting to both 2 1/2" and 4" pipe
- IR Sensors also available (see table)