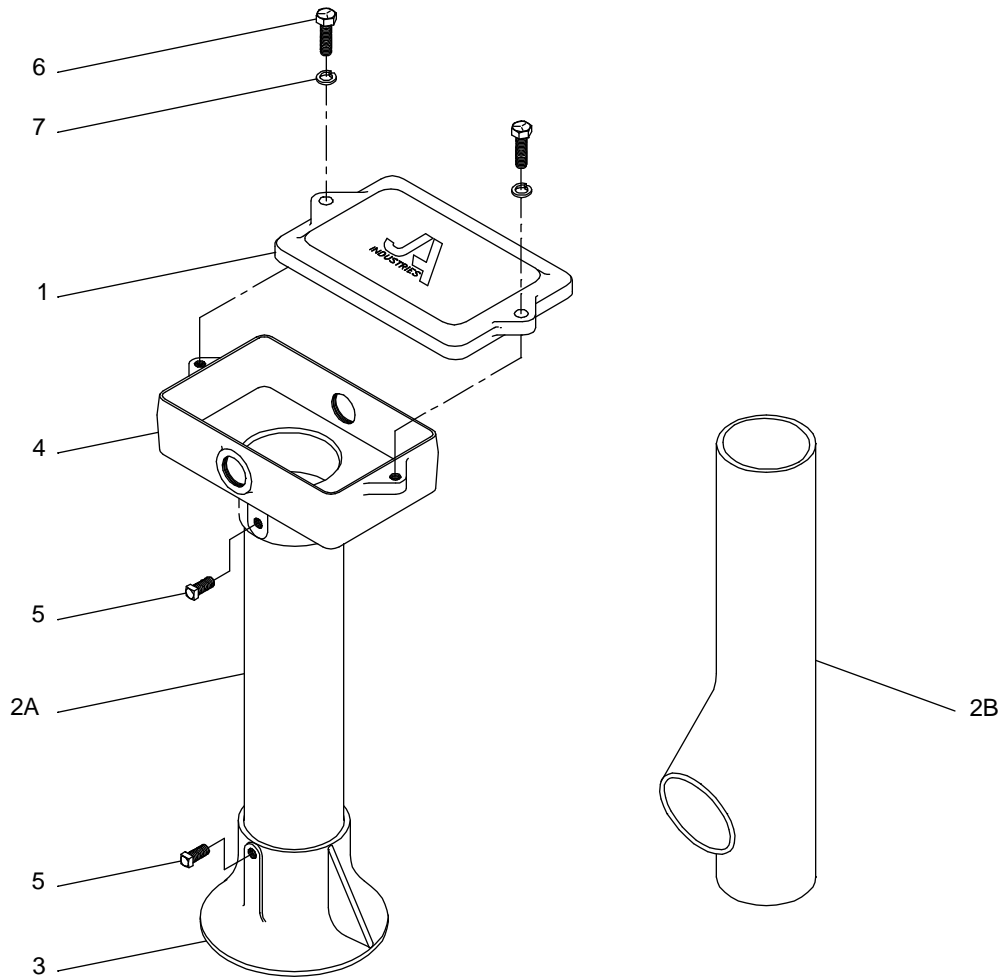


# TERMINAL BOX

11" X 7" X 4"



**180121-XXX**

Contact Factory for  
Configuration Options

REF	J&A #	DESCRIPTION
1	220032-000	COVER, J-BOX, 11" X 7"
2A	150151-000	ADAPTER, STRAIGHT PIPE, 15" LONG
2B	110064-000	ADAPTER, SIDE INLET PIPE, 24" LONG
3	110056-001	PEDESTAL BASE
4	110055-001	JUNCTION BOX, 11" X 7" X 4"
5	013202-4106	SCREW, SET CUP SQUARE, 1/2-13 X 3/4" Z/P
6	013203-428	SCREW, HEX HEAD CAP, 1/2-13 X 1 3/4"
7	013000-008	WASHER, SPLIT LOCK, 1/2"