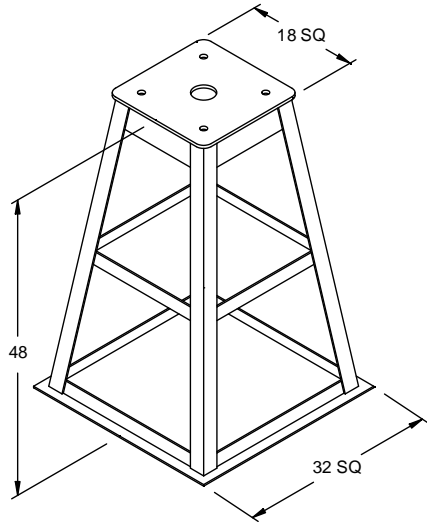
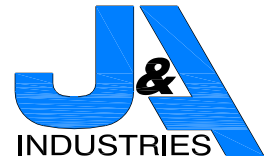
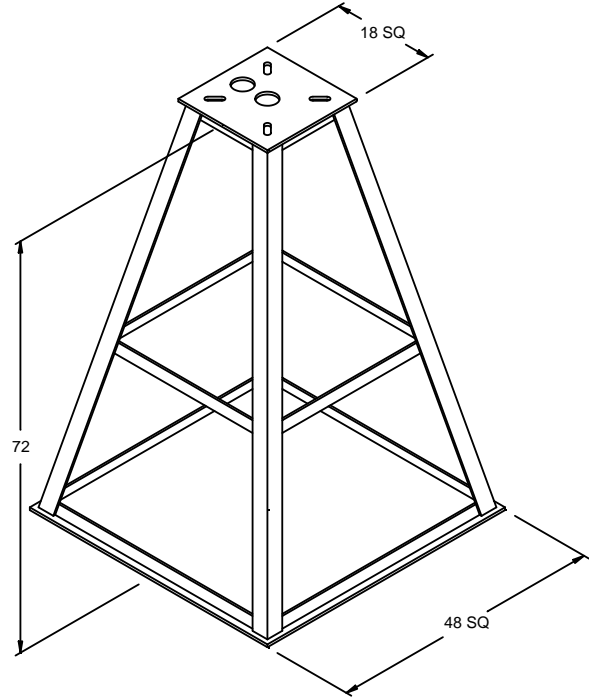


FOUNDATIONS

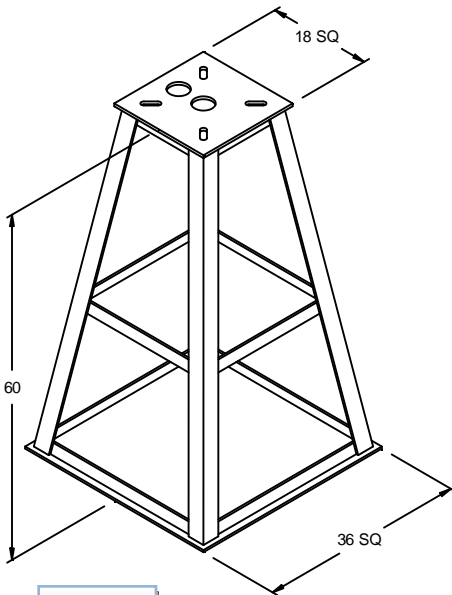
SIGNAL



REF A



REF C



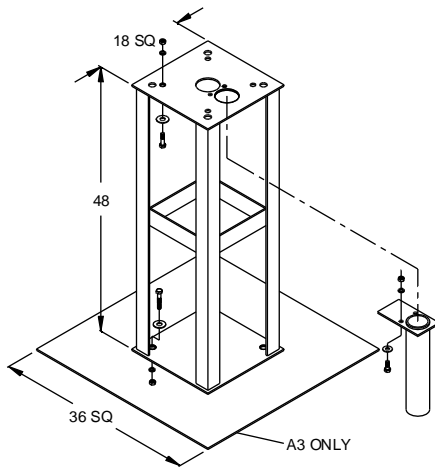
REF B

REF	FOUNDATION W/ HDW	FOUNDATION ONLY	HDW ONLY	DESCRIPTION
A1	180329-000	160345-000	180014-000	FOUNDATION, SIGNAL, 4' TALL WITH 1 HOLE
A2	180118-000	160189-000	180014-000	FOUNDATION, SIGNAL, 4' TALL WITH 2 HOLES
B1	180221-000	160329-000	180014-000	FOUNDATION, SIGNAL, 5' TALL WITH 1 HOLE
B2	180015-000	160034-000	180014-000	FOUNDATION, SIGNAL, 5' TALL WITH 2 HOLES
C	180027-000	160053-000	180014-000	FOUNDATION, SIGNAL, 6' TALL WITH 2 HOLES

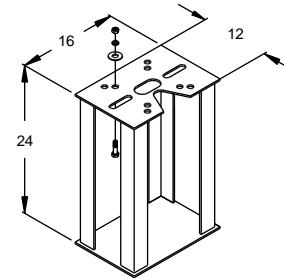
Special configurations are available.

FOUNDATIONS

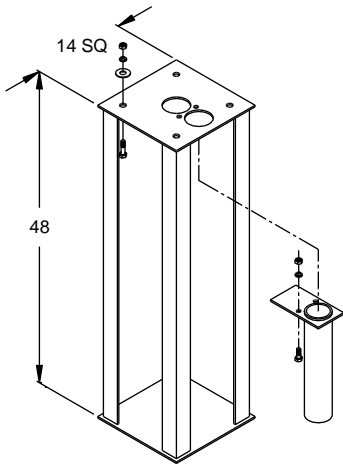
FLASHER



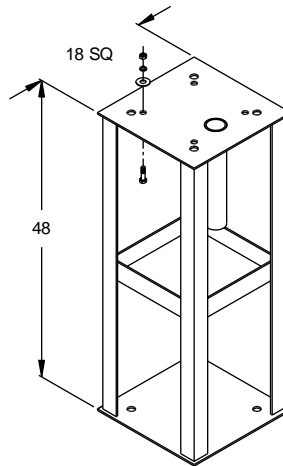
REF A



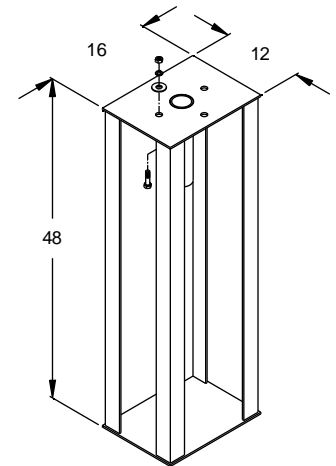
REF B



REF C



REF D



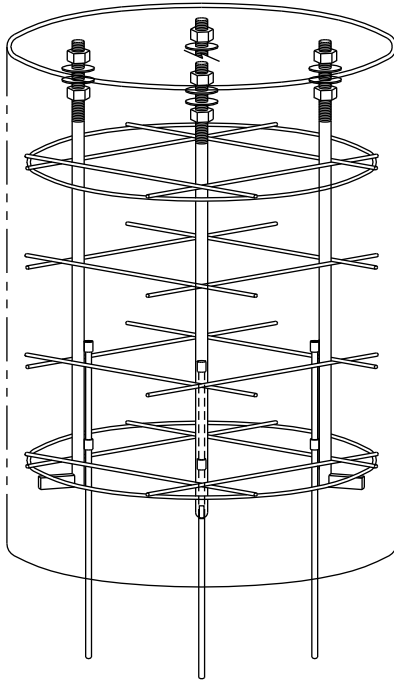
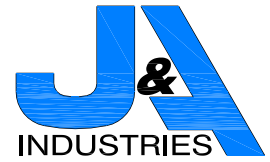
REF E

REF	FOUNDATION W/ HDW	FOUNDATION ONLY	DESCRIPTION
A1	180163-000	160284-000	FOUNDATION, FLASHER, 4' TALL
A2	180163-001	160284-000	FOUNDATION, GATE, 4' TALL
A3	180163-002	160284-000	FOUNDATION, GATE WITH 36" SQUARE BASE, 4' TALL
B	180174-000	160364-000	FOUNDATION, FLASHER, DWARF, 2' TALL
C	180175-000	160277-000	FOUNDATION, FLASHER, 4' TALL WITH 2 HOLES
D	180199-000	160263-000	FOUNDATION, FLASHER, 4' TALL WITH 1 OFFSET HOLE
E	180223-000	160330-000	FOUNDATION, FLASHER, 4' TALL WITH 1 HOLE

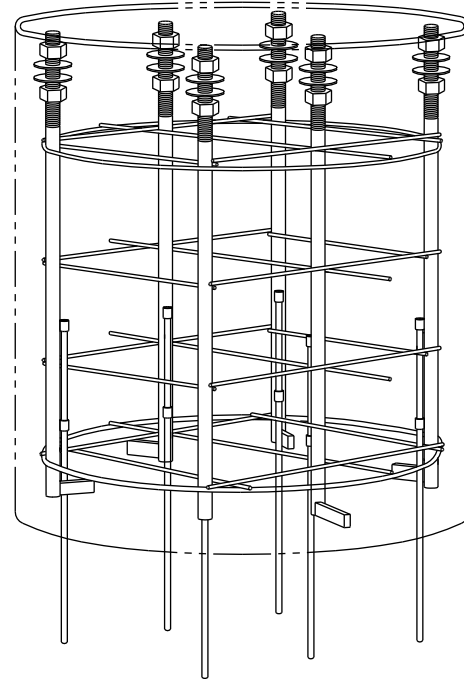
Special configurations are available.

FOUNDATIONS

LEAVE-IN PLACE



REF A



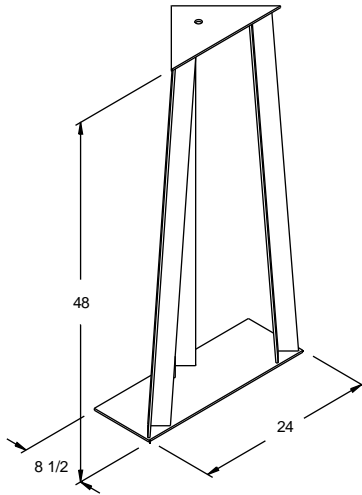
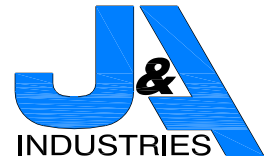
REF B

REF	J&A #	DESCRIPTION
A	180075-000	FOUNDATION, 4 BOLT LEAVE-IN-PLACE, 5' TALL, FOR CANTILEVERS UP TO 24'
B	180091-000	FOUNDATION, 6 BOLT LEAVE-IN-PLACE, 5' TALL, FOR CANTILEVERS 24' AND UP

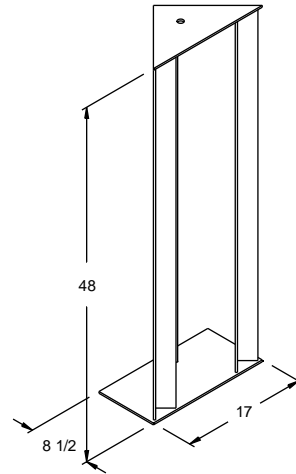
- Each foundation is 48" in diameter and 72" tall
- Eliminates the need to make forms at the job site
- Excavate the hole, set unit in place, level, and pour concrete
- Reduces time at the job site by 50%
- Unit is hot dip galvanized
- Includes mounting hardware and wood forms for cantilever base

FOUNDATIONS

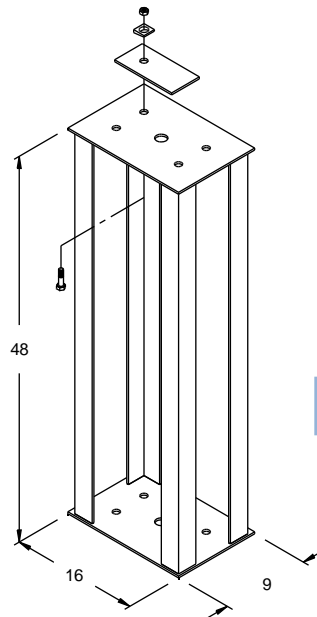
HOUSE



REF A



REF B



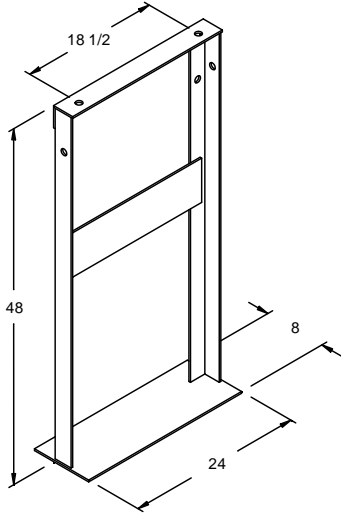
REF C

REF	FOUNDATION W/ HDW	FOUNDATION ONLY	HDW ONLY	DESCRIPTION
A	180017-000	160023-000	180016-000	FOUNDATION, HOUSE, 4' TALL WITH TAPERED LEGS
B	180092-000	160162-000	180016-0000	FOUNDATION, HOUSE, 4' TALL WITH STRAIGHT LEGS
C	180209-000	160309-000		FOUNDATION, HOUSE, 4' TALL WITH 4 LEGS

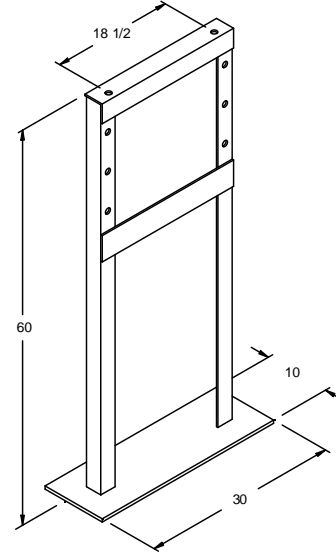
Special configurations are available.

FOUNDATIONS

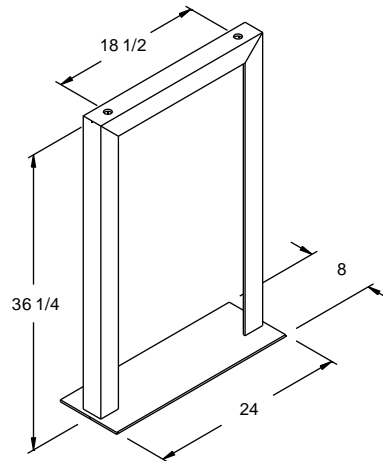
CASE



REF A



REF B



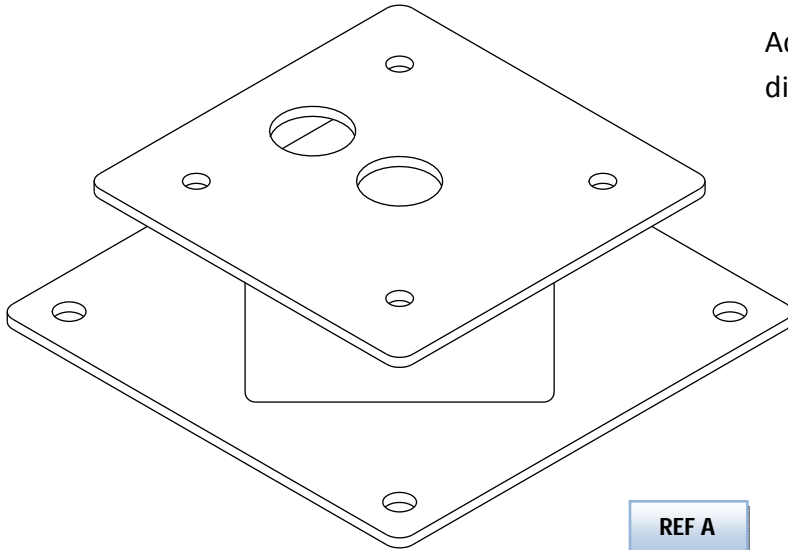
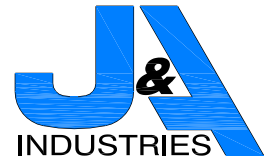
REF C

REF	FOUNDATION W/ HDW	FOUNDATION ONLY	HDW ONLY	DESCRIPTION
A	180013-000	160024-000	180009-000	FOUNDATION, CASE, 4' TALL
B	180093-000	160172-000	180096-000	FOUNDATION, CASE, 5' TALL
C	180120-000	160190-000		FOUNDATION, CASE, 3' TALL

Special configurations are available.

FOUNDATIONS

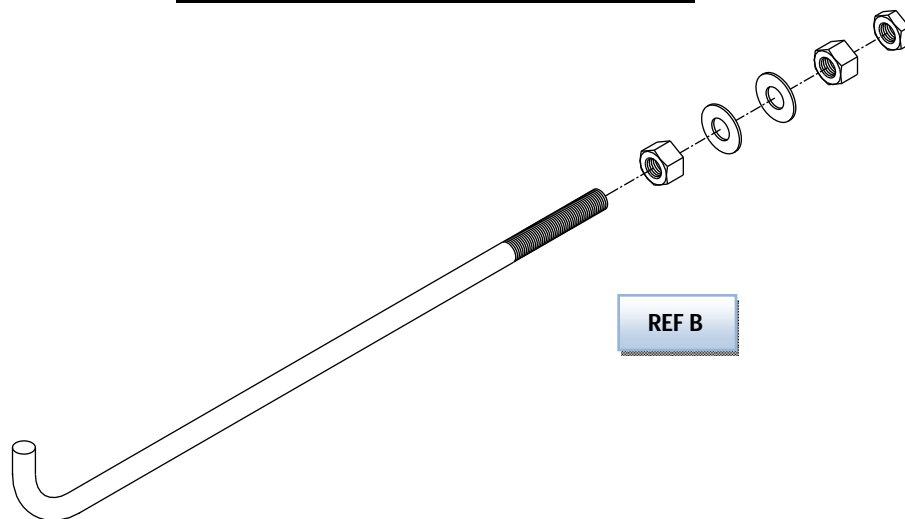
MISCELLANEOUS



Adapter plate allows retrofitting to different foundation configurations

REF A

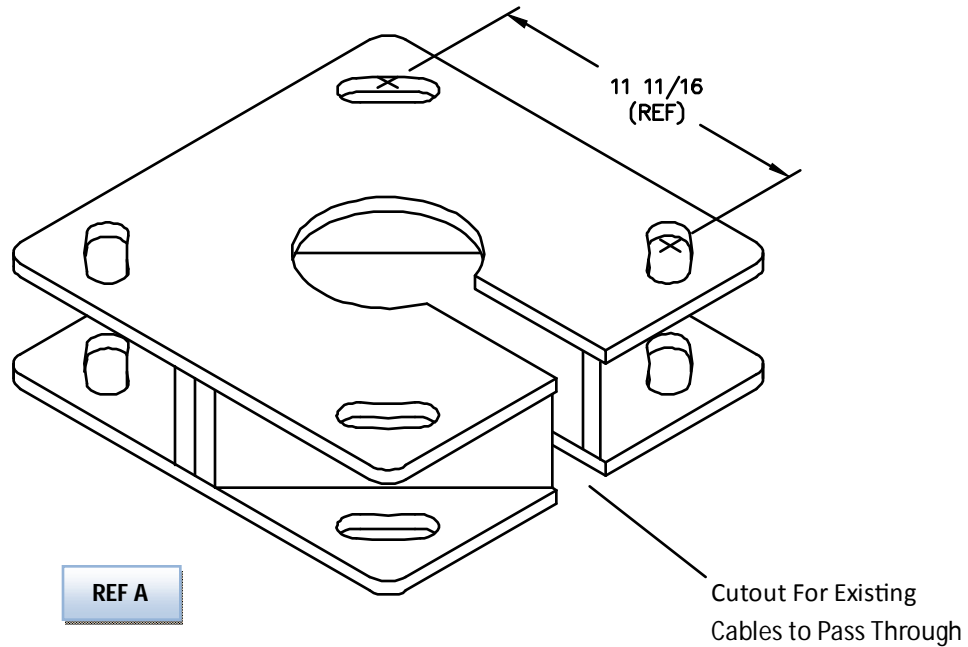
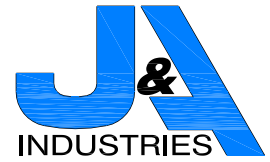
REF	J&A #	DESCRIPTION
A	180460-000	ADAPTER PLATE KIT
B	180458-000	ANCHOR BOLT KIT



REF B

FOUNDATIONS

GATE RISER

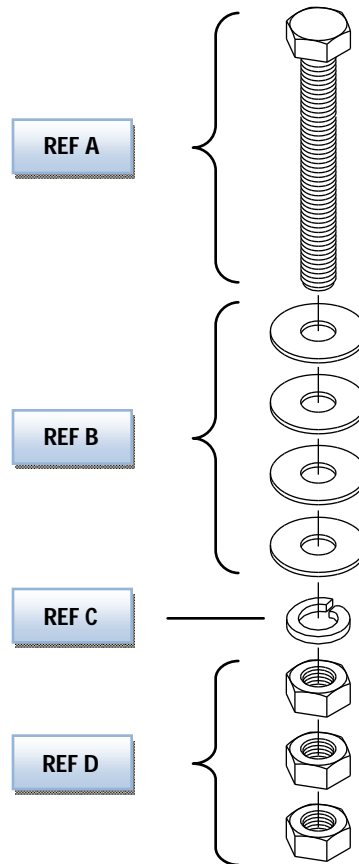


- Gate riser allows raising the crossing gate from 5" to 8" because of foundation settling or changing road surface height
- 8" long hardware included: Bolts, Nuts, Flat & Lock Washers

REF	J&A #	DESCRIPTION
A	180783-000	GATE RISER KIT, 5"-8"

FOUNDATIONS

Hardware Kits



REF	PART NUMBER	QTY/KIT	DESCRIPTION
	180014-000		KIT, HARDWARE, FOUNDATION, 6" HEX BOLTS
	180014-001		KIT, HARDWARE, FOUNDATION, 7 1/2" HEX BOLTS
	180572-000		KIT, HARDWARE, FOUNDATION, 8" HEX BOLTS
A	013224-8096	4	SCREW, TAP, 1-8 X 6 HHC, GR 5, ZP
-	013224-8120	4	SCREW, TAP, 1-8 X 7 1/2 HHC, GR 5, ZP
-	013224-8128	4	SCREW, TAP, 1-8 X 8 HHC, GR 5, ZP
B	013007-012	16	WASHER, FLAT WROUGHT, 1", ZP
C	013000-013	4	WASHER, SPLIT LOCK, 1", ZP
D		12	NUT, 1-8 HEX, ZP