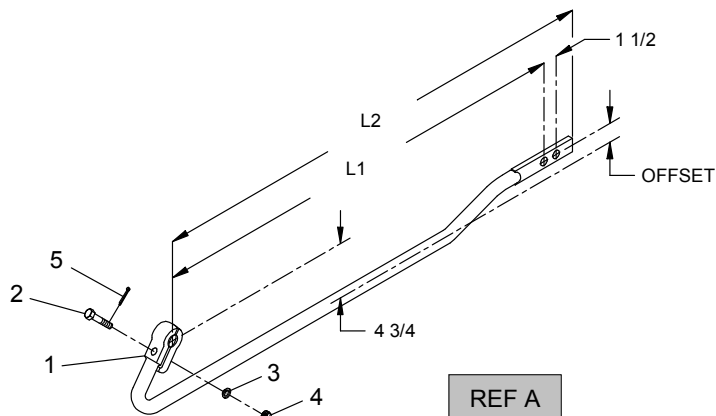
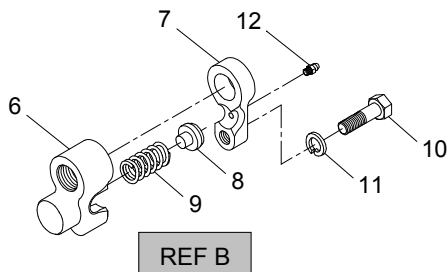


US&S

EXTERNAL POINT DETECTOR RODS

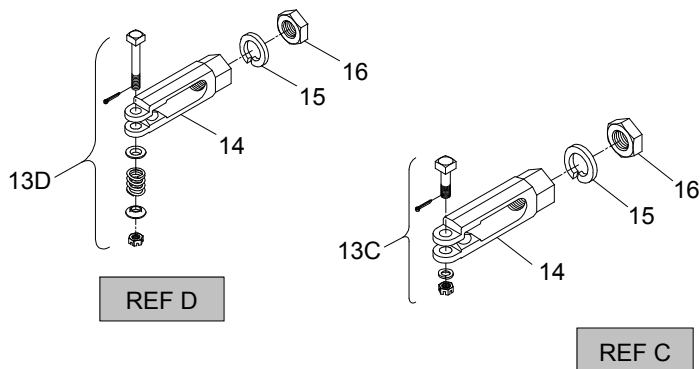


REF	O.E.M. #	J&A #	DESCRIPTION	L1	L2	OFFSET
A1		225083-000	ROD, SWIVEL END, OFFSET	46	49 1/2	2 1/2
A2	UN-451387	225083-001	ROD, SWIVEL END, STRAIGHT	46	49 1/2	0
A3		225083-002	ROD, SWIVEL END, STRAIGHT	36	39 1/2	0
1		110023-001	SWIVEL END, 1 1/4" BALL			
2		140268-000	BOLT, 5/8-11 X 3 1/4" W/ KEY HOLE			
3		013000-009	WASHER, SPLIT LOCK, 5/8" Z/P			
4		013114-009	NUT, SLOTTED, 5/8-11, Z/P			
5		014001-0824	PIN, COTTER, 5/32" X 1 1/2" Z/P			



REF	O.E.M. #	J&A #	DESCRIPTION
B	UN-212708S	220008-001	ASSEMBLY, SOCKET
6		110018-001	SOCKET
7		110019-001	CAP
8		140155-000	CAP BUTTON
9		016004-000	SPRING
10		013203-428	SCREW, HEX, 1/2-13 X 1 3/4" Z/P
11		013000-008	WASHER, SPLIT LOCK, 1/2" Z/P
12		021000-009	FITTING, GREASE, 1/4-28

REF	J&A #	DESCRIPTION
C	180070-000	KIT, SCREW JAW WITH HARDWARE
D	180070-001	KIT, SCREW JAW WITH SPRING BOLT
13C	225136-000	KIT, BOLT
13D	180189-000	KIT, SPRING BOLT
14	110040-001	SCREW JAW
15	013000-013	WASHER, SPLIT LOCK, 1" Z/P
16	013124-012	NUT, HEAVY HEX JAM, 1-8 Z/P



J&A INDUSTRIES, INC.

14 S. Ewing Street Kansas City, KS 66118 PH (913) 281-5722 (800) 748-7722 FAX (913) 281-1401