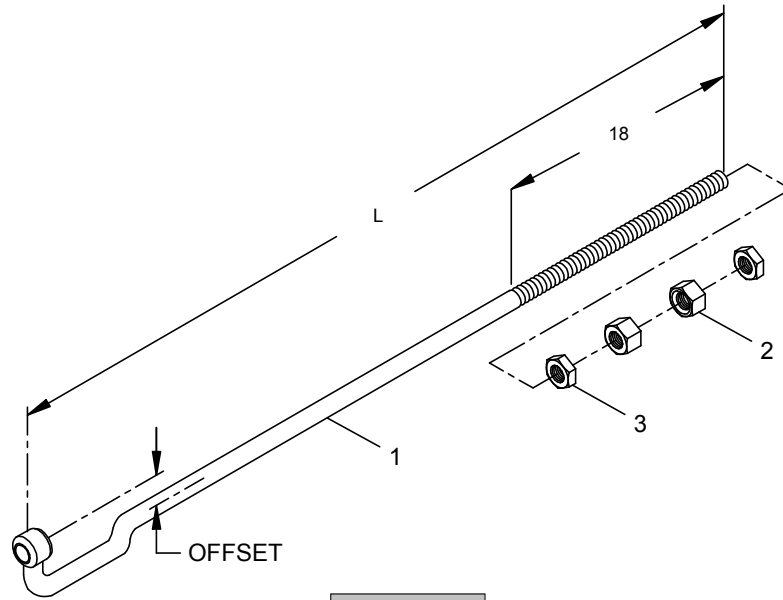


# US&S

## EXTERNAL LOCK RODS



REF A-G

REF	O.E.M. #	J&A #	DESCRIPTION	L	OFFSET
A	UN-258686	225310-000	ASSEMBLY, ROD, LOCK	58 1/4	3
B	UN-397193	225310-001	ASSEMBLY, ROD, LOCK	65 1/2	4
C	SPEC	225310-002	ASSEMBLY, ROD, LOCK	61	4
D	UN-438573-004	225310-003	ASSEMBLY, ROD, LOCK	60	3
E		225310-004	ASSEMBLY, ROD, LOCK	65 1/2	2
F		225310-005	ASSEMBLY, ROD, LOCK	48	2 1/2
G		225310-006	ASSEMBLY, ROD, LOCK	56	1 1/2
1A		160232-000	ROD, LOCK	58 1/4	3
1B		160232-001	ROD, LOCK	65 1/2	4
1C		160232-002	ROD, LOCK	61	4
1D		160232-003	ROD, LOCK	60	3
1E		160232-004	ROD, LOCK	65 1/2	2
1F		160232-005	ROD, LOCK	48	2 1/2
1G		160232-006	ROD, LOCK	56	1 1/2
2		140095-000	NUT, CONICAL, 1 1/4-7		
3		013124-014	NUT, HEAVY HEX JAM, 1 1/4-7 Z/P		

**J&A INDUSTRIES, INC.**

14 S. Ewing Street Kansas City, KS 66118 PH (913) 281-5722 (800) 748-7722 FAX (913) 281-1401