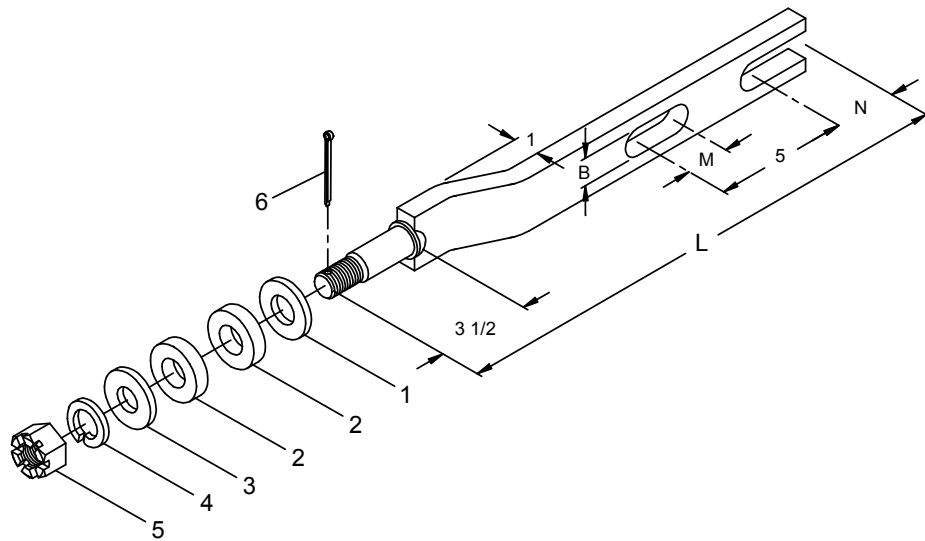


US&S

POINT LUGS

O.E.M. #	J&A #	L	M	N	B
UN-434215	225052-000	17 7/8	1 11/16	2 5/16	1 1/32
UN-434217	225052-001	17 7/8	1 15/16	2 7/16	25/32
UN-435246	225052-002	15 3/4	1 11/16	2 5/16	1 1/32
UN-435215A	225052-003	16 7/8	1 11/16	2 5/16	1 1/32
UN-43215B	225052-004	19 7/8	1 11/16	2 5/16	1 1/32



REF	O.E.M. #	J&A #	DESCRIPTION
1	UM-296971	140127-000	WASHER, 2" X 1" X 1/2"
2	UJ-047927	018018-000	WASHER, RUBBER, 2 1/4" X 1" X 1/2"
3		140127-001	WASHER, 2" X 0.890" X 1/4" Z/P
4	UJ-047547	013013-011	WASHER, SPLIT LOCK, 7/8" Z/P
5		013114-011	NUT, SLOTTED HEX, 7/8-9 Z/P
6	UJ-046000	014001-0824	PIN, COTTER, 5/32" X 1 1/2" Z/P

J&A INDUSTRIES, INC.

14 S. Ewing Street Kansas City, KS 66118 PH (913) 281-5722 (800) 748-7722 FAX (913) 281-1401