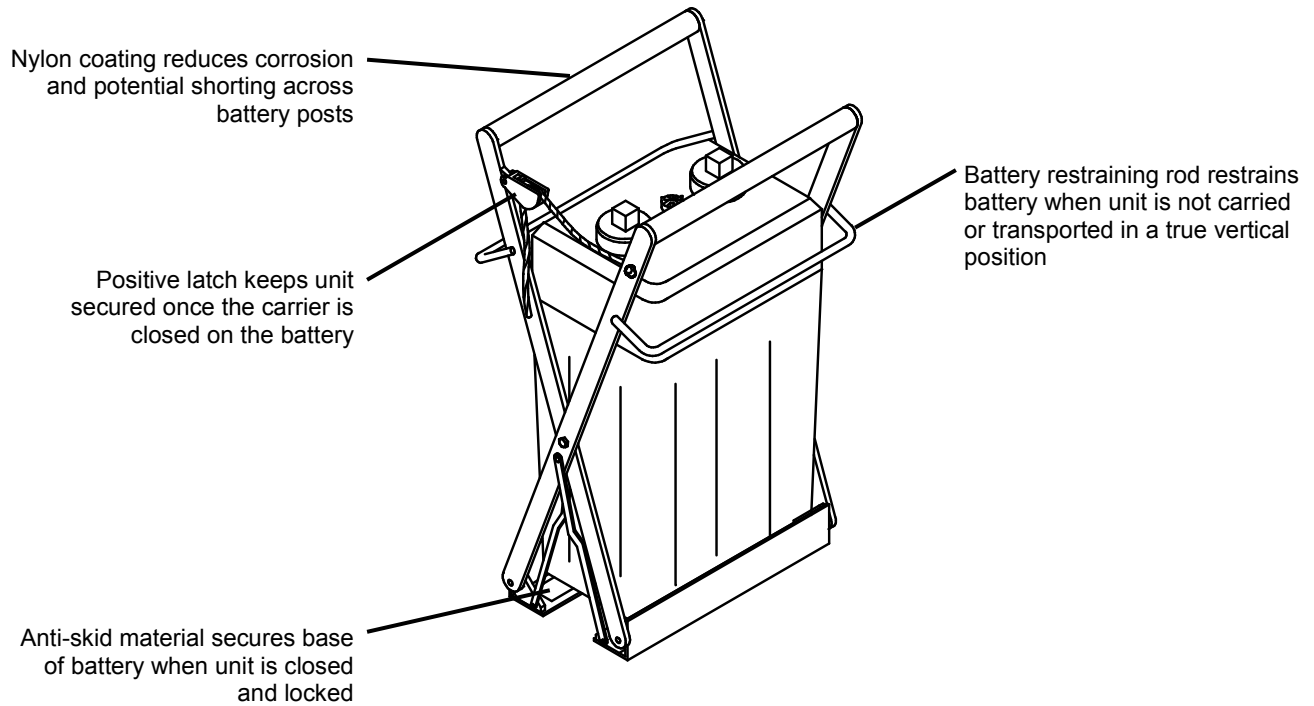
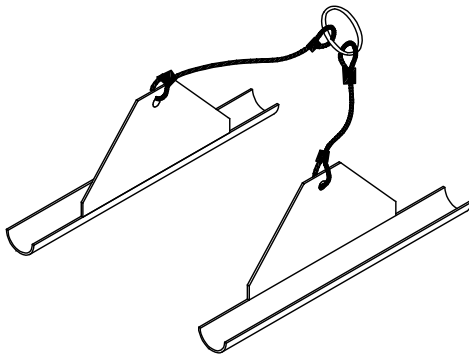


# BATTERY CARRIER



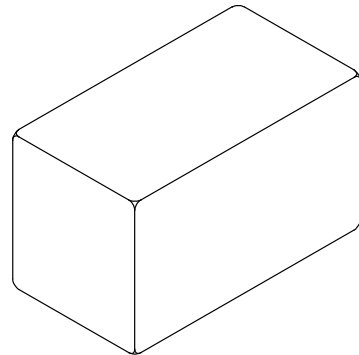
**BATTERY CARRIER**  
225280-000

- Designed to reduce potential back injuries when lifting and moving signal batteries
- Universal carrier fits most signal batteries
- Optional cover is added protection against potential shorting across terminals



**BATTERY LIFTING SLING**  
225315-000

To be used with the battery extractor or with a forklift to lift or move battery



**BATTERY COVER**  
024002-000

Used as a safety protection to prevent accidental shorting of battery terminals during lifting or moving operation