

# STAGE 8 HARDWARE

## Stage 8 Locking Fasteners - the only physical locking fastener available today

- Over 1 million fasteners in service with zero failures
- Available in a wide variety of styles and for every application
- Patented “Groove-Lok” system ensures hardware will never loosen
- Easy to install – forget ever retightening hardware again



Transducer mounting using Stage 8 fasteners

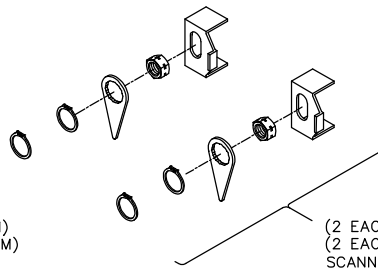
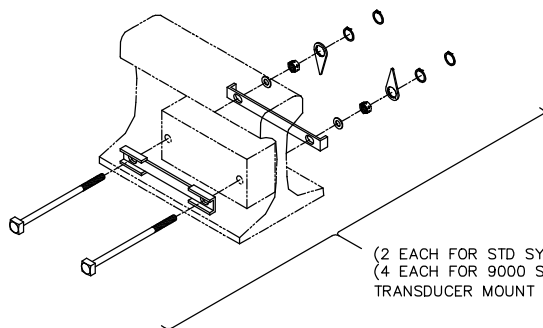


Traditional method of attaching ties to bridge deck. Repairs are needed weekly to retighten loosened bolts

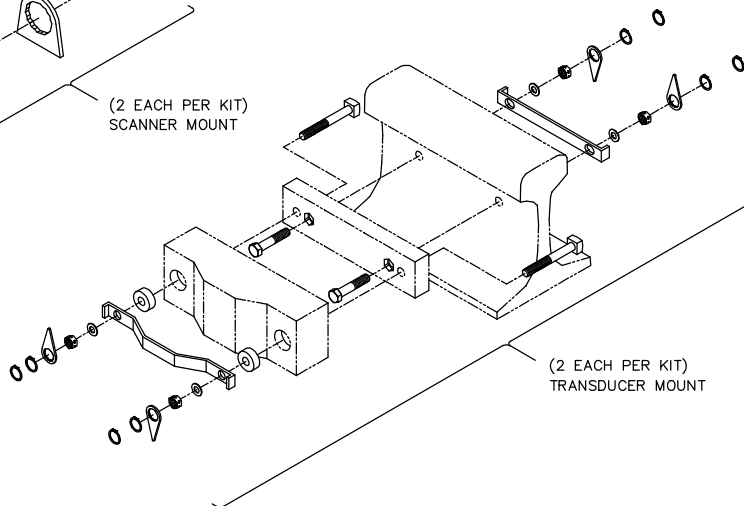
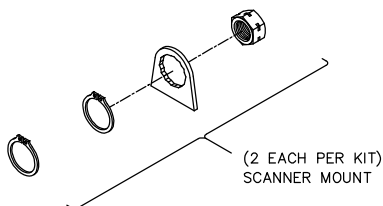
Using Stage 8 fasteners on this bridge application, these bolts have been in use for over 3 years and have never needed retightening (Compared to every other week retightening or replacing hardware previously)

# STAGE 8 HARDWARE

## TRANSDUCER AND SCANNER MOUNTING

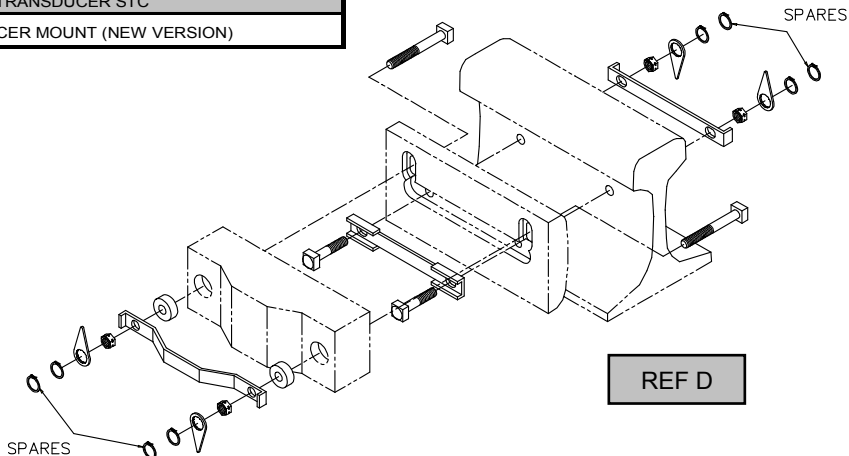


REF A-B



REF C

REF	J&A #	DESCRIPTION
A	180441-000	KIT, HBD SCANNER AND TRANSDUCER STANDARD SYSTEM
B	180441-001	KIT, HBD SCANNER AND TRANSDUCER 9000 SYSTEM
C	180442-000	KIT, HBD SCANNER AND TRANSDUCER STC
D	180457-000	BRACKET STC TRANSDUCER MOUNT (NEW VERSION)



REF D