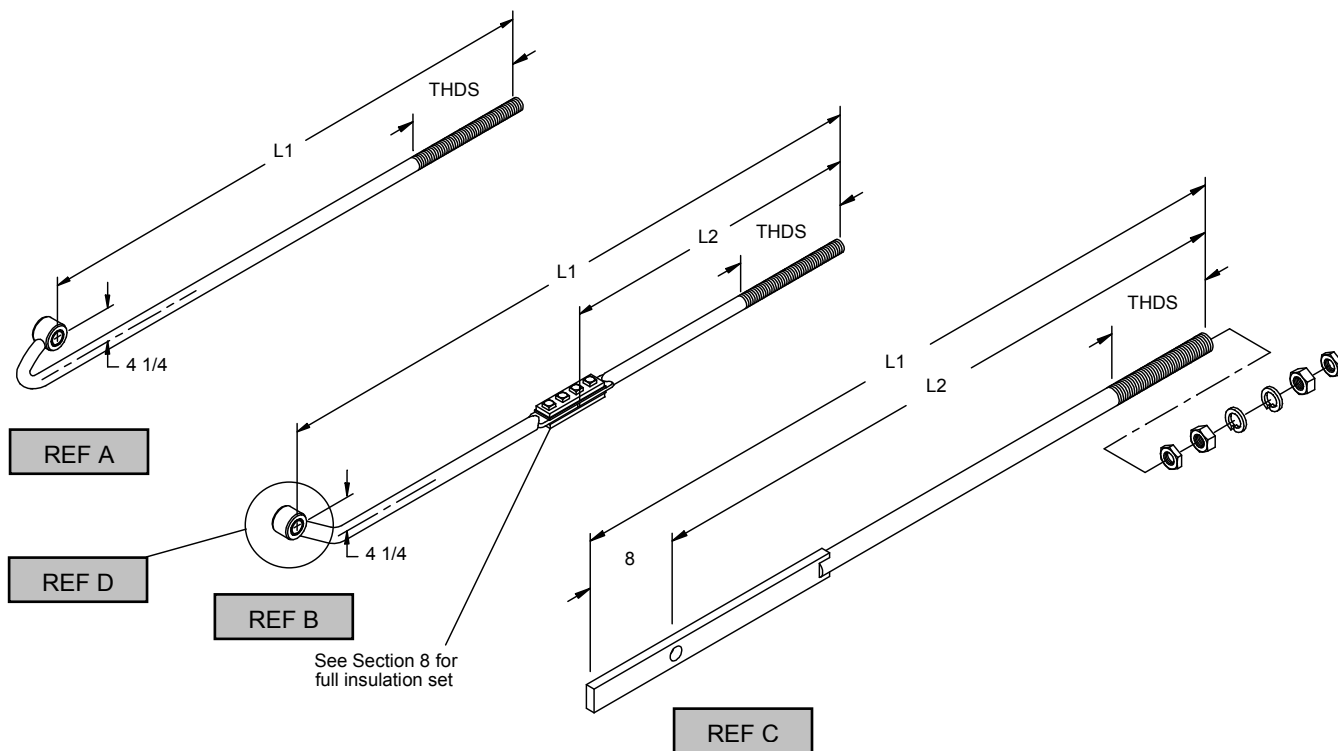


GRS

SWITCH CIRCUIT CONTROLLER & SWITCH LOCK RODS



REF	O.E.M. #	J&A #	DESCRIPTION	L1	L2	THDS
A1	A91-190	225096-000	ROD, SWITCH CIRCUIT CONTROLLER, 1" DIA	34		9 1/2
A2	A91-191	225096-001	ROD, SWITCH CIRCUIT CONTROLLER, 1" DIA	40		9 1/2
A3	A91-192	225096-002	ROD, SWITCH CIRCUIT CONTROLLER, 1" DIA	46		9 1/2
A4		225096-003	ROD, SWITCH CIRCUIT CONTROLLER, 1" DIA	42		6
A5	43050-149-3	225096-004	ROD, SWITCH CIRCUIT CONTROLLER, 1" DIA	58		9 1/2
A6	43050-149-30	225096-005	ROD, SWITCH CIRCUIT CONTROLLER, 1" DIA	74		9 1/2
A7		225096-006	ROD, SWITCH CIRCUIT CONTROLLER, 1" DIA	74		21 1/2
A8		225096-007	ROD, SWITCH CIRCUIT CONTROLLER, 1" DIA	102		18
A9		225096-008	ROD, SWITCH CIRCUIT CONTROLLER, 1" DIA	88		18
A10		225096-101	ROD, SWITCH CIRCUIT CONTROLLER, 1" DIA W/ SCREW JAW KIT	40		9 1/2
A11	A91-215	225096-105	ROD, SWITCH CIRCUIT CONTROLLER, 1" DIA W/ SCREW JAW KIT	74		9 1/2
B1	A91-181	225063-000	ROD, SWITCH CIRCUIT CONTROLLER, 1" DIA WITH INSULATION	90	70 1/2	5
B2	A91-182	225063-001	ROD, SWITCH CIRCUIT CONTROLLER, 1" DIA WITH INSULATION	114	94 1/2	5
B3		225063-002	ROD, SWITCH CIRCUIT CONTROLLER, 1" DIA WITH INSULATION	86	66 1/2	5
B4		225063-003	ROD, SWITCH CIRCUIT CONTROLLER, 1" DIA WITH INSULATION	156	136 1/2	5
C1	A50-205	225153-000	ROD, SWITCH LOCK, 1" DIA WITH HARDWARE	94	86	16
C2	14904-66	225153-001	ROD, SWITCH LOCK, 1" DIA WITH HARDWARE	141	133	16
C3	14904-44	225153-002	ROD, SWITCH LOCK, 1" DIA WITH HARDWARE	102	94	16
C4		225153-003	ROD, SWITCH LOCK, 1" DIA WITH HARDWARE	83	75	16
C5		225153-004	ROD, SWITCH LOCK, 1" DIA WITH HARDWARE	141	133	28
D	P91-263	140128-000	BUSHING			

J&A INDUSTRIES, INC.

14 S. Ewing Street Kansas City, KS 66118 PH (913) 281-5722 (800) 748-7722 FAX (913) 281-1401