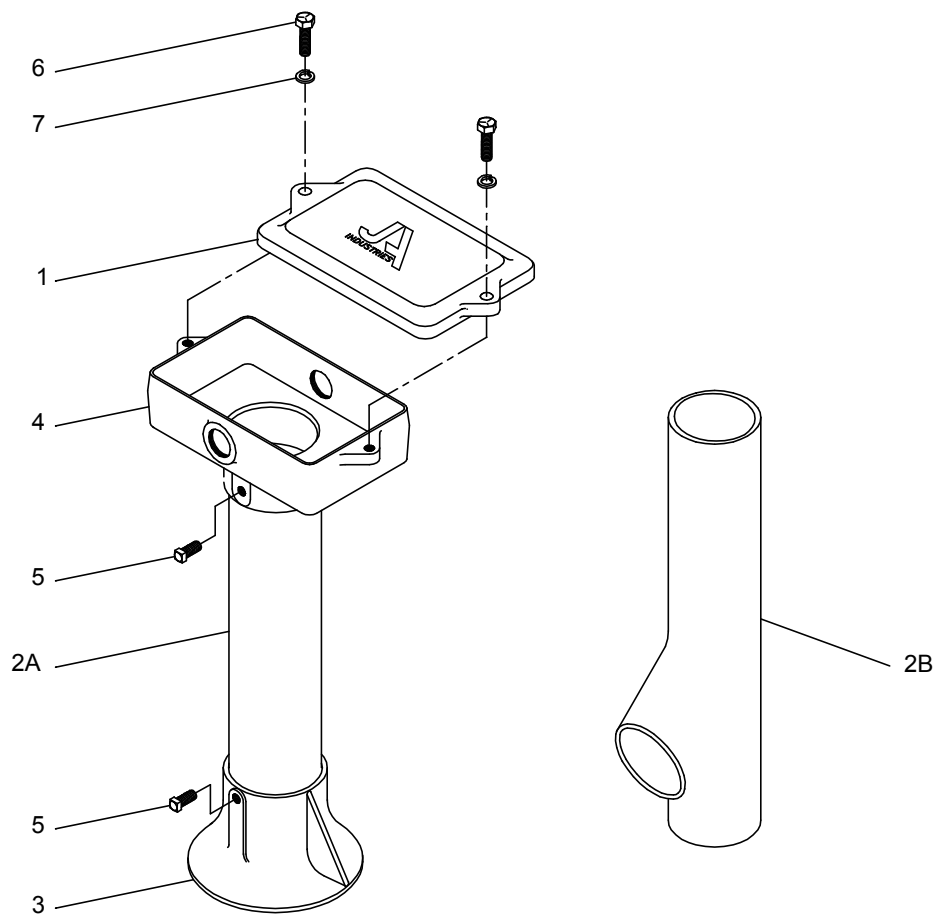


# GRS

## JUNCTION BOXES (11" X 7" X 4")



**180121-XXX**

Contact factory for configuration options

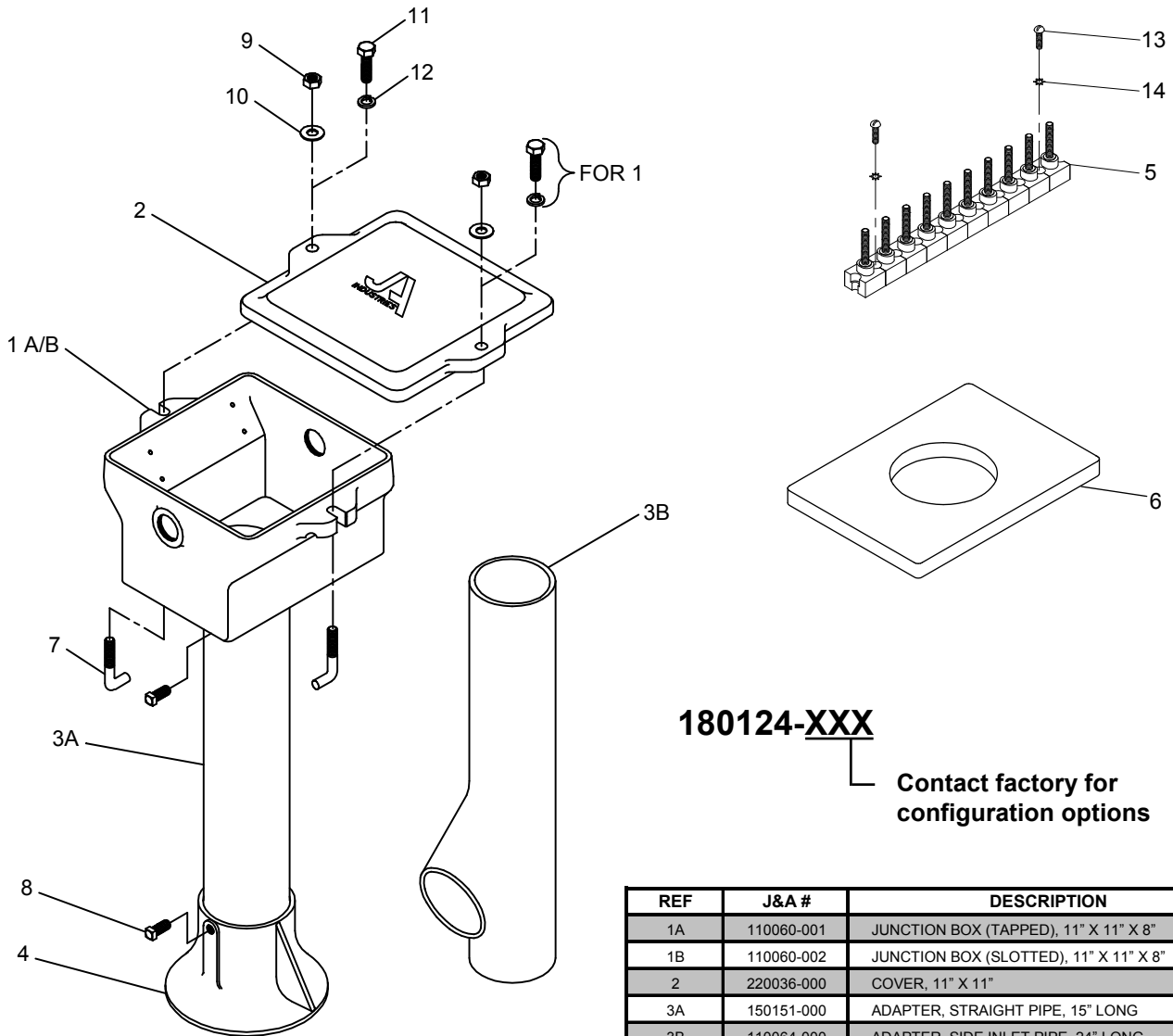
REF	J&A #	DESCRIPTION
1	220032-000	COVER, J-BOX, 11" X 7"
2A	150151-000	ADAPTER, STRAIGHT PIPE, 15" LONG
2B	110064-000	ADAPTER, SIDE INLET PIPE, 24" LONG
3	110056-001	PEDESTAL BASE
4	110055-001	JUNCTION BOX, 11" X 7" X 4"
5	013202-4106	SCREW, SET CUP SQUARE, 1/2-13 X 3/4" Z/P
6	013203-428	SCREW, HEX HEAD CAP, 1/2-13 X 1 3/4"
7	013000-008	WASHER, SPLIT LOCK, 1/2"

**J&A INDUSTRIES, INC.**

14 S. Ewing Street Kansas City, KS 66118 PH (913) 281-5722 (800) 748-7722 FAX (913) 281-1401

# GRS

## JUNCTION BOXES (11" X 11" X 8")



**180124-XXX**

Contact factory for configuration options

REF	J&A #	DESCRIPTION
1A	110060-001	JUNCTION BOX (TAPPED), 11" X 11" X 8"
1B	110060-002	JUNCTION BOX (SLOTTED), 11" X 11" X 8"
2	220036-000	COVER, 11" X 11"
3A	150151-000	ADAPTER, STRAIGHT PIPE, 15" LONG
3B	110064-000	ADAPTER, SIDE INLET PIPE, 24" LONG
4	110056-001	PEDESTAL BASE
5	031000-007	TERMINAL STRIP, 1" X 12", 10 POST
6	130507-000	TERMINAL BOARD 7 3/4" X 10" X 3/4"
7	140477-000	J-BOLT, 1/2-13 X 2 3/4", FOR SLOTTED J-BOX
8	013209-4106	SCREW, SET CUP SQUARE, 1/2-13 X 3/4" Z/P
9	013115-008	NUT, HEAVY HEX, 1/2-13, FOR SLOTTED J-BOX
10	013007-008	WASHER, FLAT, 1/2", FOR SLOTTED J-BOX
11	013203-428	SCREW, 1/2-13 X 1 3/4", FOR TAPPED J-BOX
12	013000-008	WASHER, SPLIT LOCK, 1/2" FOR TAPPED J-BOX
13	013210-1012	SCREW, PHIL HEAD, 10-32 X 3/4"
14	013012-003	WASHER, #10 EXTERNAL TOOTH

### J&A INDUSTRIES, INC.

14 S. Ewing Street Kansas City, KS 66118 PH (913) 281-5722 (800) 748-7722 FAX (913) 281-1401