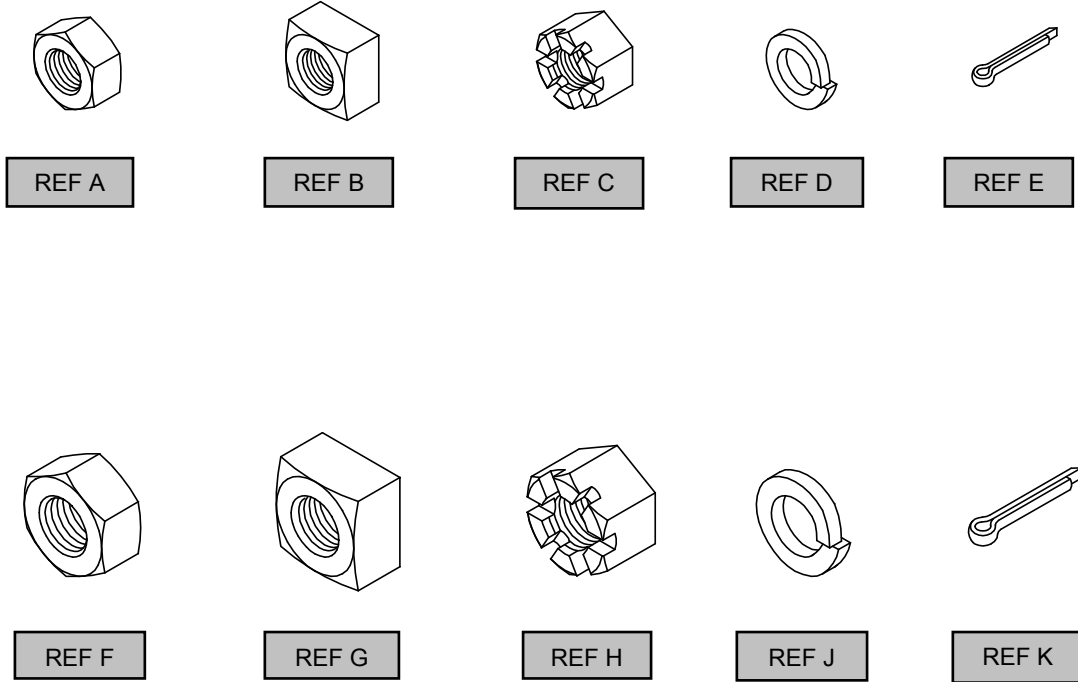


# GRS

## LAYOUT HARDWARE

---



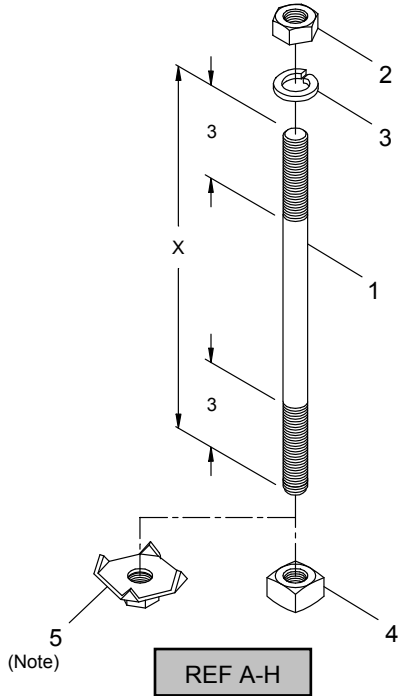
REF	O.E.M. #	J&A #	DESCRIPTION
A	P76-105	013115-010	NUT, HEAVY HEX, 3/4-10 Z/P
B	P91-221	013121-010	NUT, HEAVY SQUARE, 3/4-10 Z/P
C	P91-222	013114-010	NUT, SLOTTED, 3/4-10 Z/P
D	P85-105	013000-010	WASHER, SPLIT LOCK, 3/4"
E	P91-224	014001-0924	PIN, COTTER, 3/16" X 1 1/2" FOR REF 1-3
F	P03-105	013115-012	NUT, HEAVY HEX, 1-8 Z/P
G	P91-227	013121-012	NUT, HEAVY SQUARE, 1-8 Z/P
H	P91-228	013114-012	NUT, SLOTTED HEAVY HEX, 1-8 Z/P
J	P91-338	013000-013	WASHER, SPLIT LOCK, 1"
K	P91-231	014001-1124	PIN, COTTER, 1/4" X 1 1/2" FOR REF 6-8

- We stock all types and sizes of hardware
- Contact J&A Industries if your part is not listed

Standard lug bolt kit (-00X) has hex nut  
 Slotted lug bolt kit (-10X) has slotted nut  
 (See previous page)

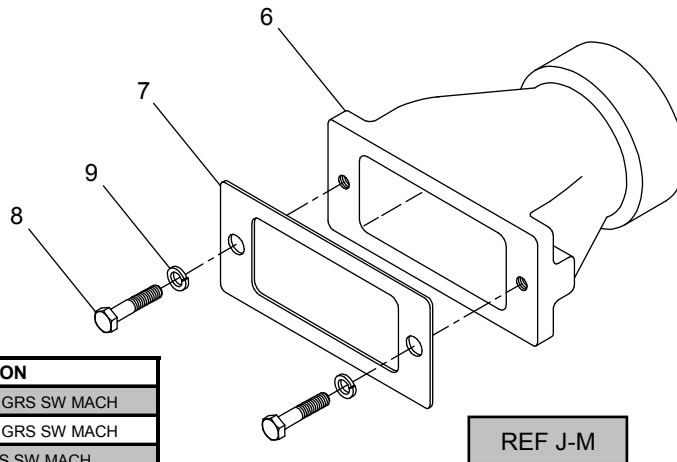
# GRS

## LAYOUT HARDWARE



REF	J&A #	DESCRIPTION	X
A	180088-000	KIT, TIE BOLT, 3/4-10	11
B	180088-001	KIT, TIE BOLT, 3/4-10	16
C	180088-002	KIT, TIE BOLT, 3/4-10	17
D	180088-003	KIT, TIE BOLT, 3/4-10	13
E	180088-004	KIT, TIE BOLT, 3/4-10	12
F	180088-005	KIT, TIE BOLT, 3/4-10	10
G	180088-006	KIT, TIE BOLT, 3/4-10	8
H	180088-007	KIT, TIE BOLT, 3/4-10	14
1A	140304-000	STUD, 3/4-10	11
1B	140304-001	STUD, 3/4-10	16
1C	140304-002	STUD, 3/4-10	17
1D	140304-003	STUD, 3/4-10	13
1E	140304-004	STUD, 3/4-10	12
1F	140304-005	STUD, 3/4-10	10
1G	140304-006	STUD, 3/4-10	8
1H	140304-007	STUD, 3/4-10	14
2	013115-010	NUT, HEAVY HEX, 3/4-10 Z/P	
3	013000-010	WASHER, SPLIT LOCK, 3/4" Z/P	
4	013121-010	NUT, HEAVY SQUARE, 3/4-10 Z/P	
5	160216-000	NUT, GRIP, 3/4-10 Z/P (SPCL)	

Note: To select the grip type bolt kit add a (1) at the first of the part number suffix (-1XX). This will substitute ITEM 5 for ITEM 4



REF	J&A #	DESCRIPTION
J	225341-001	CABLE ENTR, 1 1/4" NPT F/ GRS SW MACH
K	225341-002	CABLE ENTR, 1 1/2" NPT F/ GRS SW MACH
L	225341-003	CABLE ENTR, 2" NPT F/ GRS SW MACH
M	225341-004	CABLE ENTR, 2" OD F/ GRS SW MACH
6J	110068-001	CABLE ENTR CPLG, 1 1/4" NPT
6K	110068-002	CABLE ENTR CPLG, 1 1/2" NPT
6L	110068-003	CABLE ENTR CPLG, 2" NPT
6M	110068-004	CABLE ENTR CPLG, 2" OD
7	018028-000	GASKET, 1/16" NEOPRENE
8	013203-024	SCREW, HEX HEAD CAP, 1/4-20 X 1 1/2"
9	013000-004	WASHER, SPLIT LOCK, 1/4"

### J&A INDUSTRIES, INC.

14 S. Ewing Street Kansas City, KS 66118 PH (913) 281-5722 (800) 748-7722 FAX (913) 281-1401