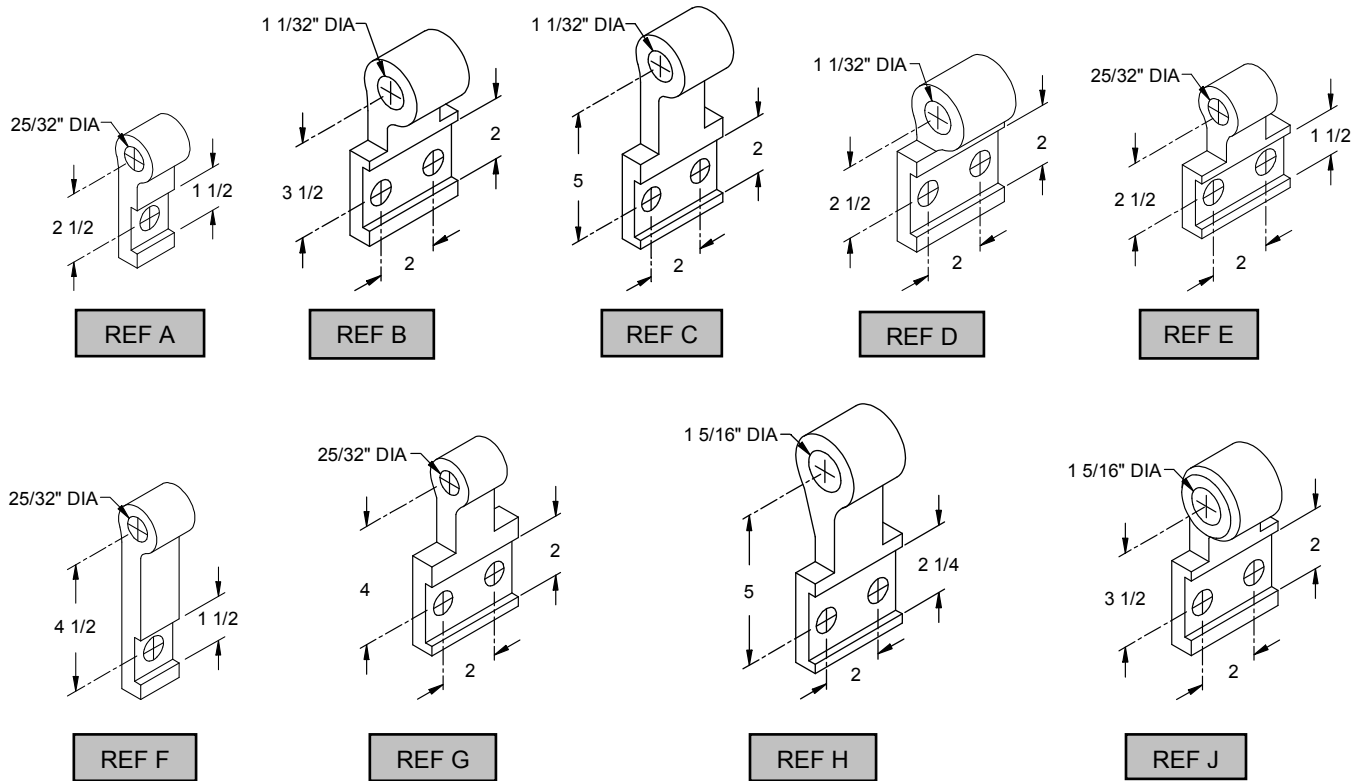


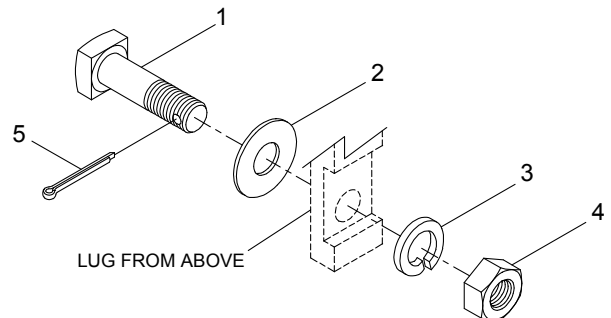
# GRS DROP LUGS



| REF | O.E.M. #  | J&A #      | DROP  | LUG TYPE | ROD DIA | LUG (ONLY) | BOLT (REF 1) |
|-----|-----------|------------|-------|----------|---------|------------|--------------|
| A   | P85-563   | 180010-000 | 2 1/2 | POINT    | 3/4     | 160025-000 | 1A           |
| B   | P85-560   | 180010-001 | 3 1/2 | LOCK     | 1       | 160043-000 | 1B           |
| C   | 30908-147 | 180010-002 | 5     | LOCK     | 1       | 160102-000 | 1B           |
| D   | P85-591   | 180010-003 | 2 1/2 | LOCK     | 1       | 160107-000 | 1B           |
| E   | P85-561A  | 180010-004 | 2 1/2 | POINT    | 3/4     | 160170-000 | 1A           |
| F   | P85-563A  | 180010-005 | 4 1/2 | POINT    | 3/4     | 160025-001 | 1A           |
| G   | GRS S-N-F | 180010-006 | 4     | POINT    | 3/4     | 160226-000 | 1B           |
| H   | SPCL LOCK | 180010-011 | 5     | LOCK     | 1 1/4   | 160282-000 | 1B           |
| J   | P85-1004  | 180010-012 | 3 1/2 | LOCK     | 1 1/4   | 160334-000 | 1B           |

### Hardware Table

| REF | J&A #       | DESCRIPTION                 |
|-----|-------------|-----------------------------|
| 1A  | 140100-000  | SCREW, 3/4-10 X 2 1/2"      |
| 1B  | 140100-002  | SCREW, 3/4-10 X 2 3/4"      |
| 1C  | 140100-004  | SCREW, 3/4-10 X 4 1/2"      |
| 2   | 013007-010  | WASHER, WROUGHT, 3/4"       |
| 3   | 013000-010  | WASHER, SPLIT LOCK, 3/4"    |
| 4   | 013100-010  | NUT, HEX, 3/4-10            |
| 5   | 014001-0924 | PIN, COTTER, 3/16" X 1 1/2" |



## J&A INDUSTRIES, INC.

14 S. Ewing Street Kansas City, KS 66118 PH (913) 281-5722 (800) 748-7722 FAX (913) 281-1401