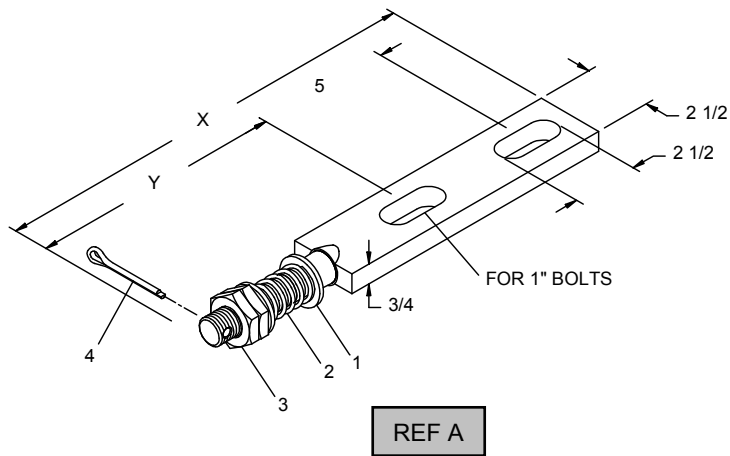


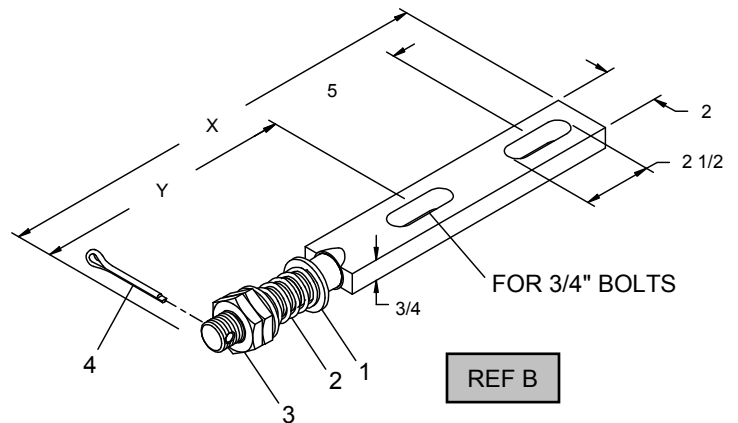
GRS

POINT LUGS



POINT LUG 2 1/2" WIDE (1" BOLTS)				
REF	O.E.M. #	J&A #	X	Y
A1	A91-200	225042-000	15 3/4	8 7/8
A2	A91-201	225042-001	18 1/2	11 5/8
A3	A91-202	225042-002	21 1/4	14 3/8
A4	A91-203	225042-003	24 1/4	17 3/8
A5	A91-450	225042-004	17 1/8	10 1/4
A6	A91-451	225042-005	19 7/8	13
A7	A91-452	225042-006	22 3/4	15 7/8
A8	A91-453	225042-007	20 1/2	13 5/8

POINT LUG 2" WIDE (3/4" BOLTS)				
REF	O.E.M. #	J&A #	X	Y
B1	A91-207	225107-000	15 3/4	8 7/8
B2	A91-208	225107-001	18 1/2	11 5/8
B3	A91-209	225107-002	21 1/4	14 3/8
B4	A91-210	225107-003	24 1/4	17 3/8
B5	A91-460	225107-004	17 1/8	10 1/4
B6	A91-461	225107-005	19 7/8	13
B7	A91-462	225107-006	22 3/4	15 7/8
B8	A91-463	225107-007	20 1/2	13 5/8



HARDWARE			
REF	O.E.M. #	J&A #	DESCRIPTION
1	P91-141	140307-000	WASHER, FOR SPRING 1 1/32" ID
2	P91-143	016003-000	SPRING
3	P91-144	013124-012	NUT, STANDARD JAM, 1-8
4		014001-1024	PIN, COTTER 7/32" X 1 1/2"

J&A INDUSTRIES, INC.

14 S. Ewing Street Kansas City, KS 66118 PH (913) 281-5722 (800) 748-7722 FAX (913) 281-1401