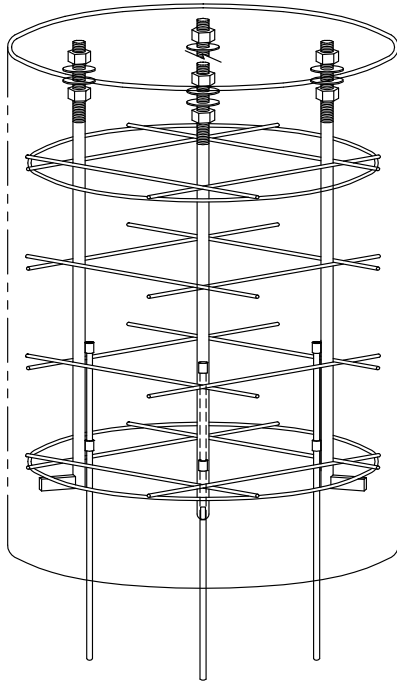
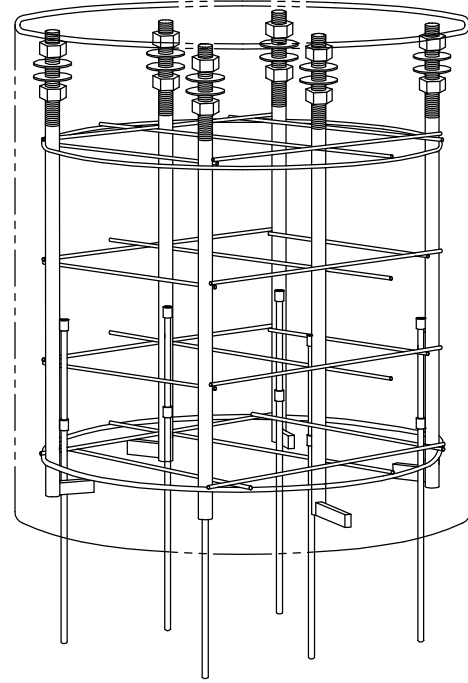


FOUNDATIONS

LEAVE-IN PLACE



REF A



REF B

REF	J&A #	DESCRIPTION
A	180075-000	FOUNDATION, 4 BOLT LEAVE-IN-PLACE, 5' TALL, FOR CANTILEVERS UP TO 24'
B	180091-000	FOUNDATION, 6 BOLT LEAVE-IN-PLACE, 5' TALL, FOR CANTILEVERS 24' AND UP

- Each foundation is 48" in diameter and 72" tall
- Eliminates the need to make forms at the job site
- Excavate the hole, set unit in place, level, and pour concrete
- Reduces time at the job site by 50%
- Unit is hot dip galvanized
- Includes mounting hardware and wood forms for cantilever base

J&A INDUSTRIES, INC.

14 S. Ewing Street Kansas City, KS 66118 PH (913) 281-5722 (800) 748-7722 FAX (913) 281-1401