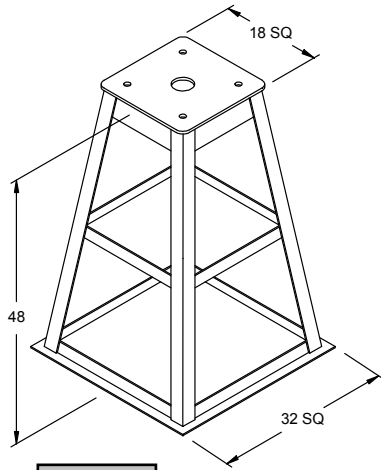
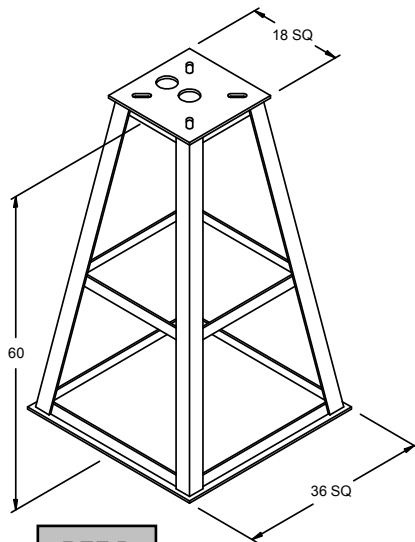


FOUNDATIONS

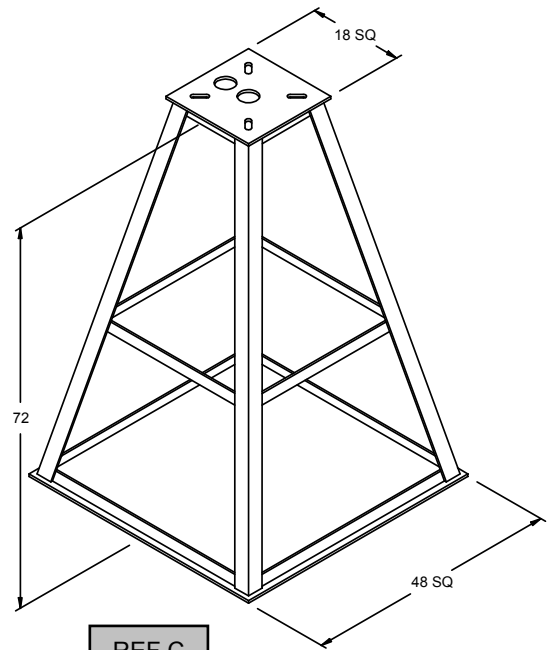
SIGNAL



REF A



REF B



REF C

REF	FOUNDATION W/ HDW	FOUNDATION ONLY	HDW ONLY	DESCRIPTION
A1	180329-000	160345-000	180014-000	FOUNDATION, SIGNAL, 4' TALL WITH 1 HOLE
A2	180118-000	160189-000	180014-000	FOUNDATION, SIGNAL, 4' TALL WITH 2 HOLES
B1	180221-000	160329-000	180014-000	FOUNDATION, SIGNAL, 5' TALL WITH 1 HOLE
B2	180015-000	160034-000	180014-000	FOUNDATION, SIGNAL, 5' TALL WITH 2 HOLES
C	180027-000	160053-000	180014-000	FOUNDATION, SIGNAL, 6' TALL WITH 2 HOLES

Special configurations are available.

J&A INDUSTRIES, INC.

14 S. Ewing Street Kansas City, KS 66118 PH (913) 281-5722 (800) 748-7722 FAX (913) 281-1401