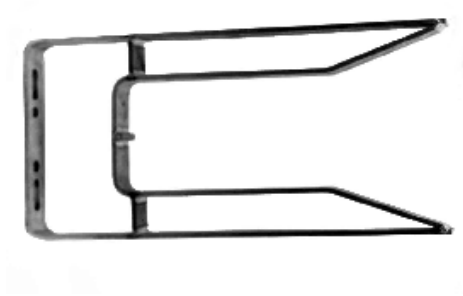
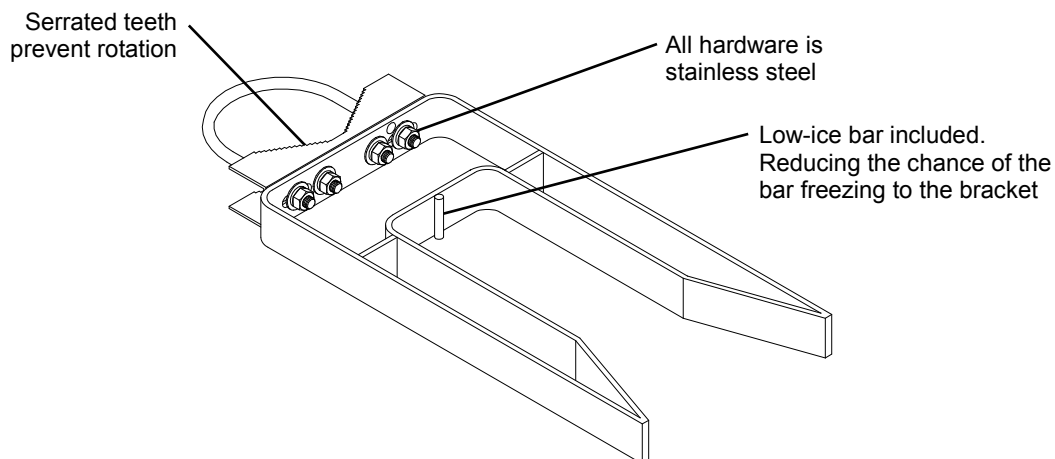


# CROSSING PARTS

## HI-WIND BRACKET

---



MAST	U-BOLT	J&A #
4	ZINC	225116-000
	SS	225116-010
5	ZINC	225116-001
	SS	225116-011