

CROSSING PARTS

X-BUCK SIGNS



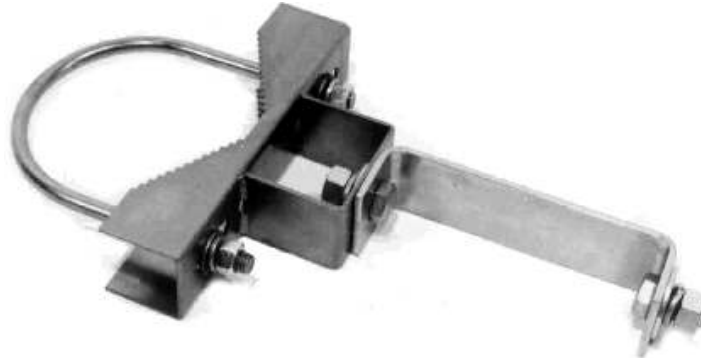
J&A #	DESCRIPTION
180043-XXX	KIT, X-BUCK LABELED RR & XING WITHOUT BACK STRIP
180044-XXX	KIT, X-BUCK LABELED RR & XING WITH 4" BACK STRIP
180045-XXX	KIT, X-BUCK LABELED RR & XING ON BOTH SIDES

-XXX	DESCRIPTION
-000	HIGH INTENSITY ENCLOSED LENS #1500
-001	HIGH INTENSITY ENCAPSULATED LENS #3870

- Theft of aluminum parts will no longer be a problem
- Sign can flex without damage from traffic, yet rigid in strong winds
- “Lexan” material totally eliminates maintenance
- Meets all specification requirements for crossing protection

CROSSING PARTS

X-BUCK MOUNTING



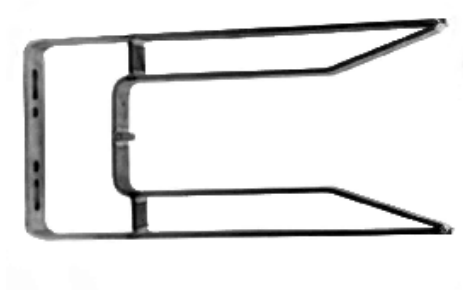
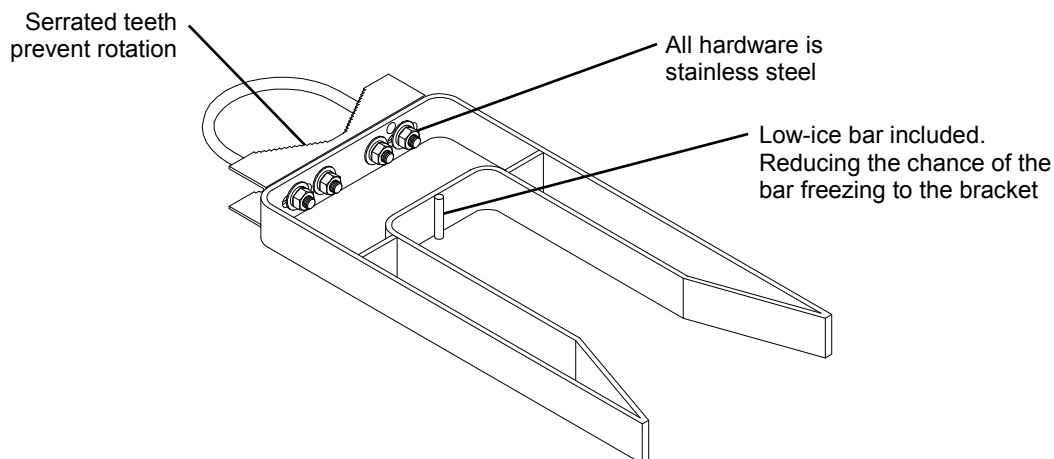
DESCRIPTION	MAST DIA	OFFSET	J&A #
KIT, SERRATED X-BUCK MOUNTING (ZINC PLATED)	4	0	180041-000
		7 1/4	180041-001
		10 1/2	180041-002
		14 1/2	180041-003
	5	0	180041-100
		7 1/4	180041-101
		10 1/2	180041-102
		14 1/2	180041-103
KIT, SERRATED X-BUCK MOUNTING (STAINLESS STEEL)	4	0	180042-000
		7 1/4	180042-001
		10 1/2	180042-002
		14 1/2	180042-003
	5	0	180042-100
		7 1/4	180042-101
		10 1/2	180042-102
		14 1/2	180042-103

J&A INDUSTRIES, INC.

14 S. Ewing Street Kansas City, KS 66118 PH (913) 281-5722 (800) 748-7722 FAX (913) 281-1401

CROSSING PARTS

HI-WIND BRACKET



MAST	U-BOLT	J&A #
4	ZINC	225116-000
	SS	225116-010
5	ZINC	225116-001
	SS	225116-011

CROSSING PARTS

SHEAR BOLT ASSEMBLIES



WABCO #	J&A #	DESCRIPTION
X451071-4706	180006-000	SHEAR PIN, .20 DIA, 16-26 FOOT ARM
X3575-170-1	180006-001	SHEAR PIN, .20 DIA, 20-26 FOOT FIBERGLASS ARM
X451071-4709	180006-002	SHEAR PIN, .20 DIA, 27-32 FOOT ARM
451071-4701	180006-003	SHEAR PIN, .20 DIA, 33-40 FOOT ALUMINUM ARM

- Tapered end for easy installation
- No threads to damage during installation

J&A INDUSTRIES, INC.

14 S. Ewing Street Kansas City, KS 66118 PH (913) 281-5722 (800) 748-7722 FAX (913) 281-1401

CROSSING PARTS

RAILROAD CROSSING GATE



SMASH GATE
250002-000

- Manual train control for crossings requires train crew to stop, release, and move gate before proceeding
- Unit is hot-dip galvanized and includes all mounting hardware

J&A INDUSTRIES, INC.

14 S. Ewing Street Kansas City, KS 66118 PH (913) 281-5722 (800) 748-7722 FAX (913) 281-1401